

Sensorbox

Main Features

- Position sensor and pressure sensor in one enclosure
- 360° potentiometer for easy installation
- 90° working area
- Integrated pressure transmitter
- Ex d enclosure made of SS316L

Compatibility

- Designed to work with IDC24-AF
- Hydraulic systems
- Pneumatic systems
- Rotary actuators
- Interface for third party switchbox

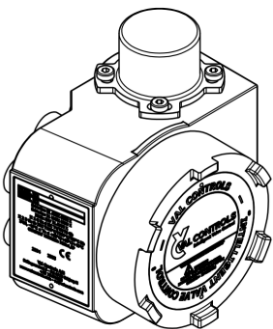


Ordering information

Part no.	Description
IDC24-SB-11	0-16 bar, Beacon
IDC24-SB-12	0-16 bar, Switchbox mounting
IDC24-SB-21	0-400 bar, Beacon
IDC24-SB-22	0-400 bar, Switchbox mounting

Sensorbox with beacon for position indication

Featuring a position sensor with a red/green beacon for clear visual indication.

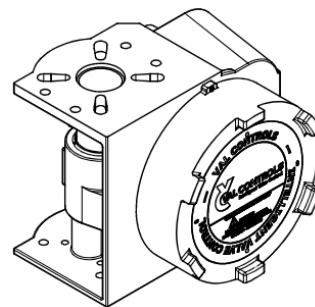


Actuator interface:

- NAMUR shaft
- 80x30 VDI/VDC 3845
- F05/F07/F08 EN ISO 5211

Sensorbox with switchbox mounting interface

Can be mounted with any brand of limit switchbox that is equipped with a standard mounting form.



Actuator interface:

- NAMUR shaft
- F05/F08 EN ISO 5211

Switchbox interface:

- NAMUR shaft
- 80x30 VDI/VDC 3845
- F05/F07/F08 EN ISO 5211

Environmental

Protection degree:IP66
 Operating temperature:..... -40 to 80 °C
 Relative Humidity:< 95% (No condensation)
 PCB coating: According to G3, ISA-71.04-2013

Terminals:

Screw torque:.....0.4Nm (3.6Lb. in)
 Wire diameter: AWG24-12 (0.2 to 2.5mm²)

Mechanical

Dimensions:.....189x184x153mm
 Weight:8kg
 Enclosure material:.....SS316L (ASTM A351-00 CF3M)
 Surface finish:..... Passivated
 Gland entries:..... 5 x M20x1.5
 Pressure connection:.....G1/4 A

Approvals and standards

EMC according to IEC 61000
 Flameproof – ATEX/IECEX/UKCA
 II 2 GD Ex db IIC T4-T6



Connections

Analog output (Position)

Signal: 4-20mA
 Max cable length:50 m

Analog output (Pressure)

Signal: 4-20mA
 Max cable length:50 m

Connections

